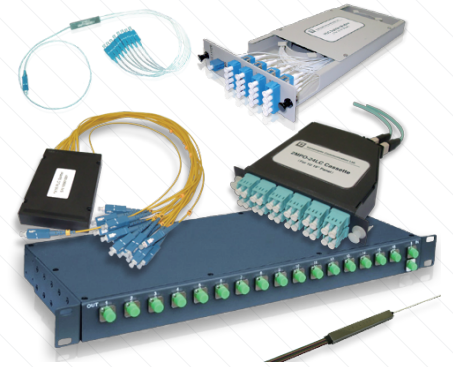


Planar Lightwave Circuit Splitter

Features

The single-mode Planar Light wave Circuit Splitter (PLCS) is developed based on unique quartz glass waveguide and processes with reliable precision aligned fiber pigtail in a miniature package. It provides a low cost light distribution solution with small form factor and high reliability. The PLCS has the high performance in terms of low insertion loss, low PDL, high return loss and excellent uniformity over a wide wavelength range from 1260nm to 1620nm and working in temperature from -40°C to +85°C. KOC's PLCS has standard configurations of 1x2, 1x4, 1x8, 1x16 and 1x32 configurations, as well as customized structures of 2x16, 2x32 and so on.



Features

- Low insertion loss and low PDL
- Wide operating wavelength range
- Compact design
- High reliability
- High channel counts
- Wide operating temperature range
- Customized packaging and configuration

Application

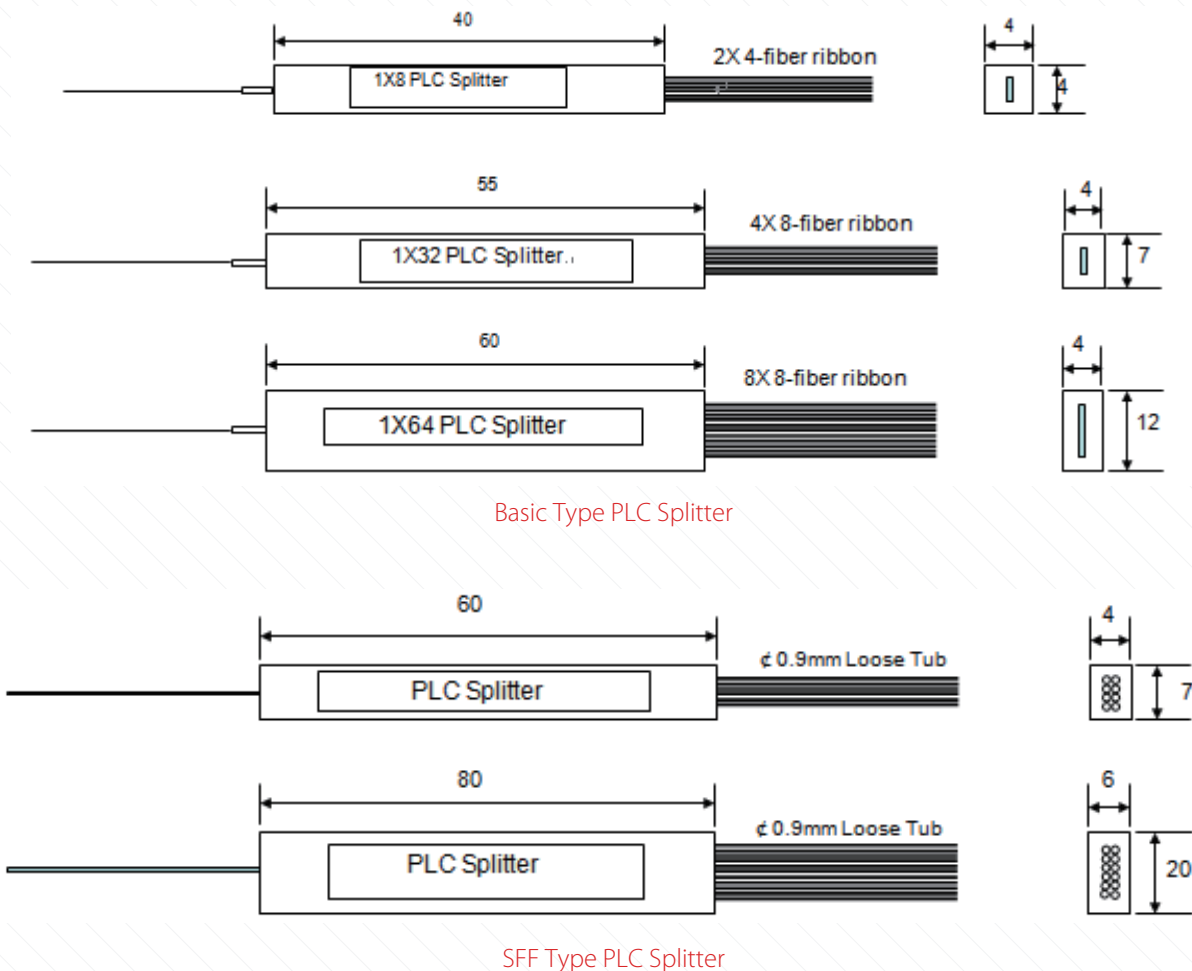
- FTTX Systems
- LAN, WAN and Metro Networks
- CATV Networks
- Analog/Digital Passive Optical Networks
- Other applications in fiber optic systems

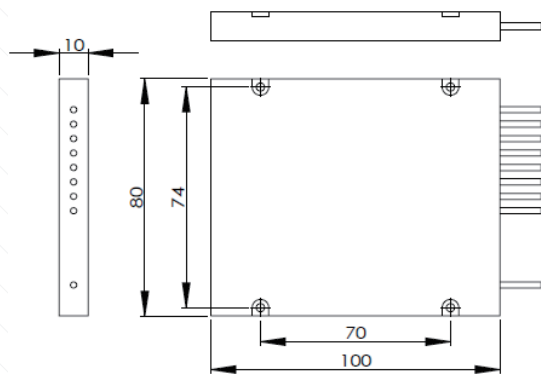
Specification

Item	Specification									
	1x2	1x4	2x4	1x8	2x8	1x16	2x16	1x32	2x32	1x32
Port Configuration	1x2	1x4	2x4	1x8	2x8	1x16	2x16	1x32	2x32	1x32
Operating Wavelength(nm)	1260 ~ 1650									
Fiber Type	G652D or G657A									
Insertion Loss(dB)	≤4.3	≤7.2	≤7.5	≤10.5	≤11.2	≤13.6	≤14.6	≤17.0	≤17.5	≤21
LOSS Uniformity(dB)	≤0.5	≤0.6	≤1.2	≤0.8	≤1.5	≤1.4	≤2.0	≤1.6	≤2.5	≤2.5
PDL(dB)	<0.2	<0.3								<0.5
Directivity(dB)	>55									
Return Loss(dB)	>55									
Operation Temperature(°C)	-40 ~ 85°C									
Storage Temperature(°C)	-40 ~ 85°C									

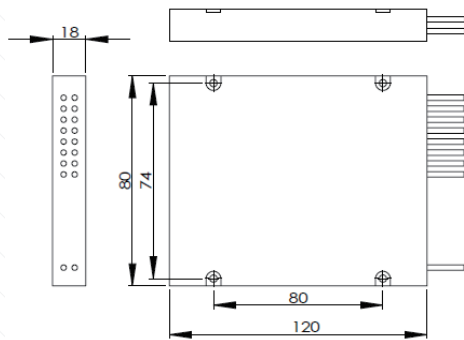
PACKAGE DIMENSIONS & PIGTAIL STYLE

TYPE	Basic type PLCS	SFF Type PLCS (For $\varnothing 0.9\text{mm}$ Loose Tub)	ABS Module Type PLCS		Blade Package PLCS	Rack Mount PLCS
			For Pigtail $\varnothing 2.0\text{mm}$	For Pigtail $\varnothing 3.0\text{mm}$		
1x2	4*4*40	4*7*50	100*80*10	100*80*10	130*100*25	480*240*45
1x4	4*4*40	4*7*60	100*80*10	100*80*10	130*100*25	480*240*45
1x8	4*4*40	4*7*60	100*80*10	120*80*18	130*100*25	480*240*45
1x16	4*4.5*45	4*12*60	120*80*18	120*80*18	130*100*50	480*240*45
1x32	4*7*50	6*20*80	120*80*18	140*115*18	130*100*102(76)	480*240*45
1x64	4*12*60	6*40*100	140*115*18	140*115*18	130*100*206(154)	480*240*89
2x4	4*4.5*50	4*7*60	100*80*10	100*80*10	130*100*25	480*240*45
2x8	4*4.5*50	4*7*60	100*80*10	120*80*18	130*100*25	480*240*45
2x16	4*7*60	4*12*60	120*80*18	120*80*18	130*100*50	480*240*45
2x32	4*7*60	6*20*80	120*80*18	140*115*18	130*100*102(76)	480*240*45
2x64	4*12*60	6*40*100	140*115*18	140*115*18	130*100*206(154)	480*240*89

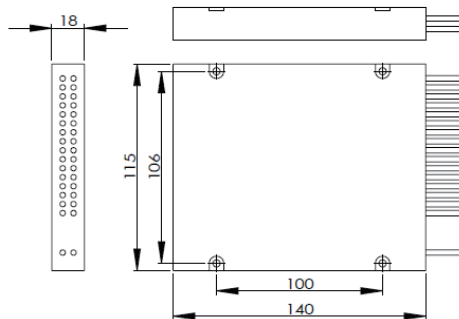




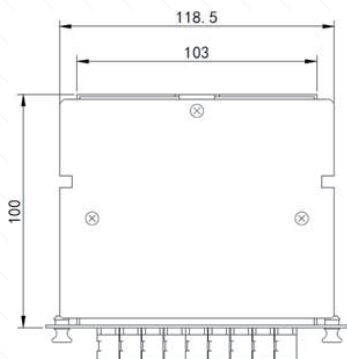
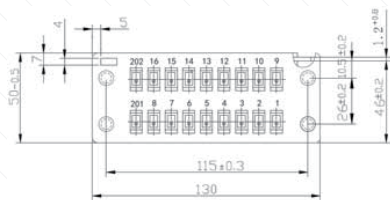
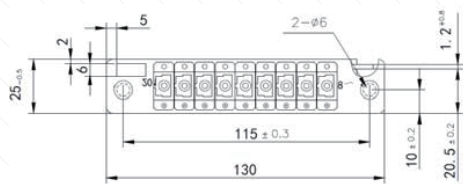
Module Type PLC Splitter(100*80*10mm)



Module Type PLC Splitter(120*80*18mm)



Module Type PLC Splitter(140*115*18mm)



Blade Package
PLCS
(130*100*25)

Blade Package
PLCS
(130*100*50)

